

| Neonlite    | Engineering Specifications of<br>Energy Saving LED Reflector lamp |           |      |             | Edition: 29-Oct-2014 |         |         |
|-------------|---|-----------|------|-------------|----------------------|---------|---------|
|             | For Customer Reference  |           |      |             |                      |         |         |
| Part No.    | Model No.   | Rating    | Cap  | Color Temp. | Life                 | Remark1 | Remark2 |
| 9559200B1AW | LR4204.5-35H24D   | 230V 4.5W | GU10 | 2800        | 25,000               |         |         |
| 9559210B1AW | LR4204.5-35H24D   | 230V 4.5W | GU10 | 4000        | 25,000               |         |         |
|             |   |           |      |             |                      |         |         |

## 1 General Data

|      |                          |           |
|------|--------------------------|-----------|
| 1.1  | Rated Voltage [V]        | 220-240   |
| 1.2  | Wide Voltage Range [V]   | 180-240   |
| 1.3  | Surge Voltage [V]        | 500       |
| 1.4  | Frequency [Hz]           | 50        |
| 1.5  | Operating frequency [Hz] | 100       |
| 1.6  | Lamp Wattage [W]         | 4.5       |
| 1.7  | Lamp Current [mA]        | 49        |
| 1.8  | Power Factor             | >0.4      |
| 1.9  | Dimmable [N/Y]           | N         |
| 1.10 | Outdoor Use [N/Y]        | N         |
| 1.11 | DC 230V Input [N/Y]      | N         |
| 1.12 | Operating Temp [°C]      | -30 to+40 |

## 2 Light Data [Initial]

|      |                             |                    |      |
|------|-----------------------------|--------------------|------|
| 2.1  | Lux distribution [lux]      | see the attachment |      |
| 2.2  | Max.luminous Intensity[cd]  | 1300               | 1300 |
| 2.3  | Beam Angle[°]               | 24                 | 24   |
| 2.4  | Total lumen [lm]            | 240                | 240  |
| 2.5  | Useful Lumen [lm]           | 210                | 210  |
| 2.6  | Color Temperature [K]       | 2800               | 4000 |
| 2.7  | SDCM                        | ≤6                 | ≤6   |
| 2.8  | Color Rendering Index       | 82                 | 85   |
| 2.9  | Energy class                | A                  |      |
| 2.10 | Weighted energy consumption | 5                  |      |
| 2.11 | Equivalence Wattage         | 35                 |      |
| 2.12 | Lamp Efficacy               | 53                 |      |
| 2.13 | LLMF                        | 0.9                |      |
| 2.14 | Warm Up Time 60% [sec]      | Instant full light |      |
| 2.15 | Starting Time [sec]         | <0.5               |      |
| 2.16 | Warning for lamp >90 deg    | N                  |      |

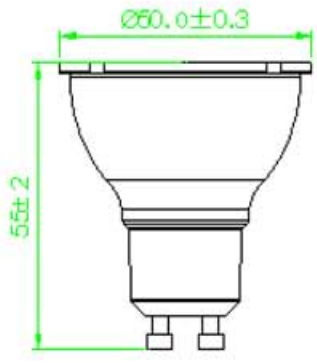
## 3 Life Time [at 230V, lot size min. 20 units]

|     |  |            |
|-----|--|------------|
| 3.1 | Life Time at 230V, 25 °C [h]                                 | 25,000     |
| 3.2 | Switching cycle up to 50% failure (30s on, 30s off) [cycles] | >1,000,000 |

## 4 Geometrical Data

|     |                   |        |
|-----|-------------------|--------|
| 4.1 | Diameter (R) [mm] | 50±0.3 |
| 4.2 | Diagonal(D) [mm]  | N/A    |
| 4.3 | Width(W) [mm]     | N/A    |

- 4.4 Height(H) [mm]
- 4.5 Length (L) [mm]
- 4.6 Weight [g]
- 4.7 Base
- 4.8 RoHS
- 4.9 Color of plastic component
- 4.10 Cover finish
- 4.11 Flammability of plastic component

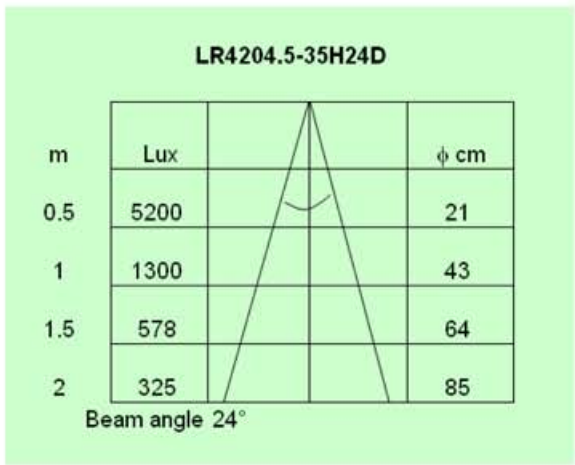


- N/A
- 55±2.0
- 43±5%
- GU10
- Compliant
- Silver
- Clear
- 94-HB

**5 Technical Data**

- 5.1 Safety Requirement
- 5.2 Photobiological Safety
- 5.3 Performance Requirement
- 5.4 EMC Requirement
- 5.5 Approvals
- 5.6 Lamp cap twist safe[Nm]

- according to IEC/EN62560
- according to IEC/EN 62493
- according to IEC/EN62471
- according to ERP 1194
- according to IEC 62612
- according to EN 55015
- according to IEC/EN 61547
- according to IEC/EN 61000-3-2
- according to IEC/EN 61000-3-3
- CE
- 2



|                                   |                              |                                  |
|-----------------------------------|------------------------------|----------------------------------|
| Prepared by (Engineer)<br>黄小灿、张品良 | Checked by (Project Manager) | Approved by (R&D Manager)<br>肖丽华 |
| Date: 29-Oct-2014                 | Date: 29-Oct-2014            | Date: 29-Oct-2014                |
| Page 2 of 2                       | Superseded spec. dated:      | Second edition                   |